

FEATURES:

- Nominal Voltage 24 VDC
- 24 VDC units have field selectable candela options of 15, 30, 60, 75, and 110 candela
- GEH horn is available in 12 or 24 Volt
- Super-Slide™ Bracket - Ease of Supervision Testing
- Checkmate™ - Instant Voltage Verification
- Unit Dimensions: 5" high x 4.5" wide x 2.5" deep
- Synchronize Strobe and/or Horn with Gentex Series Control Module (12 Volt product must use the AVSM Module)
- Pre-wire Entire System, Then Install Your Signals
- Lower Installation and Operating Costs
- Input Terminals 12 to 18 AWG
- Switch Selection for High or Low dBA
- Switch for Chime, Whoop, Mechanical and 2400Hz Tone
- Switch for Continuous or Temporal 3 (not available on whoop tone)
- Tamperproof Re-entrant Grill
- Surface Mount with the GSB (Gentex Surface Mount Box)
- Silence Horn While Strobes Remain Flashing
- Wide Voltage Range 16-33 VDC or FWR
- Faceplate Available in Red or Off-White

DESCRIPTION:

The Commander3 Series is a low profile strobe or horn/strobe combination that offers dependable audible and visual alarms and the lowest current available. The GE3 Series 24VDC offers tamperproof field selectable candela options of 15, 30, 60, 75, and 110 candela. The 12VDC offers tamperproof field selectable candela options of 15, 30, 60, and 75 candela. The Commander3 Series horn offers a continuous or synchable temporal three in 2400Hz and mechanical tone, a chime and whoop tone. All tones are easy for the professional to change in the field by using switches.

The GE3 Series has a minimal operation current and has a minimum flash rate of 1Hz regardless of input voltage.

The Commander3 Series is shipped with the standard 4" mounting plate which incorporates the popular *Super-Slide™* feature that allows the installer to easily test for supervision. The product also features a locking mechanism which secures the product to the bracket without any screws showing.

EF-GE, -S3,-C3 Series Horns, Strobes, Horn/Strobes



Evax GX3 Series Horns, Horn/Strobes

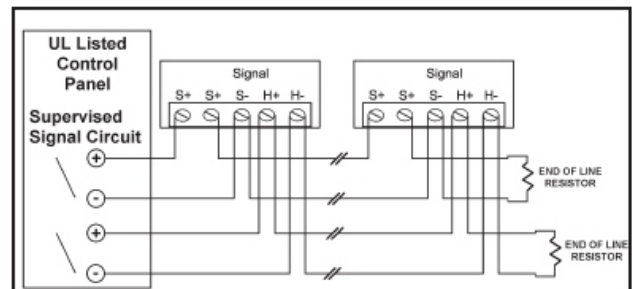
Product Listings



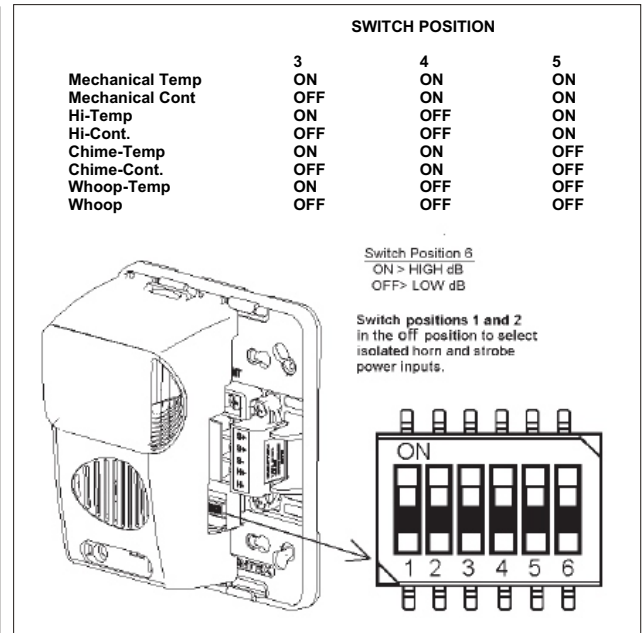
- BFP (City of Chicago)
- BS+A/MEA #285-91-E
- CSFM 7135-0569:122 (GEC3-24 & GEH-24)
7125-0569:123 (GES3-24)
7125-0569:129 (GES3-12)
7135-0569:130 (GEC3-12 & GEH-12)
- UL 464 & UL 1971 Listed
- CAN/ULC S526-M87 Listed

The Commander3 also features the *Checkmate™* Instant Voltage Verification feature which allows the installer to check the voltage drop, current draw and match it to the blueprint.

The GE3 Series appliances are UL 464 and UL 1971, listed for use with fire protective systems.



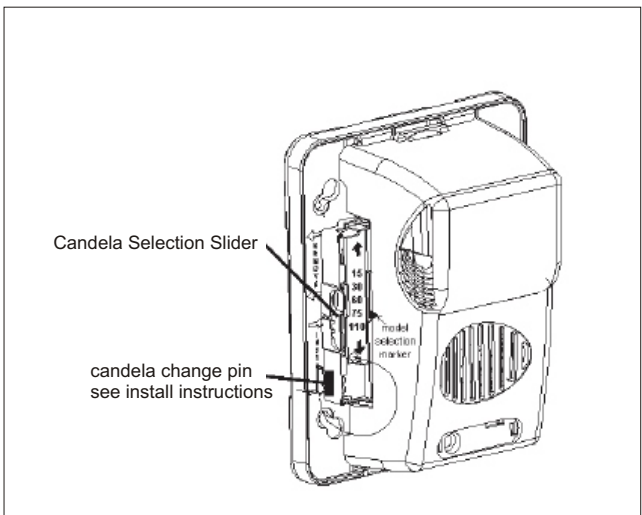
Model Number	Nominal Voltage	Reverberant dBA @ 10ft Per UL 464 UL 464	In Anechoic Room dBA @10ft.	Candela UL 1971
Low Profile Evacuation Horn only				
GEH24-R	24 VDC	62-82	100	n/a
GEH24-W	24 VDC	62-82	100	n/a
Selectable Candela Strobe only				
GES3-24WR	24 VDC	n/a	n/a	15, 30, 60, 75,110
GES3-24WW	24 VDC	n/a	n/a	15, 30, 60, 75,110
GES3-24PWR	24 VDC	n/a	n/a	15, 30, 60, 75,110
GES3-24PWW	24 VDC	n/a	n/a	15, 30, 60, 75,110
Selectable Candela Strobe Low profile Evacuation Horn/Strobe				
GEC3-24WR	24 VDC	62-82	100	15, 30, 60, 75,110
GEC3-24WW	24 VDC	62-82	100	15, 30, 60, 75,110
GEC3-24PWR	24 VDC	62-82	100	15, 30, 60, 75,110
GEC3-24PWW	24 VDC	62-82	100	15, 30, 60, 75,110



24 Volt Product Horn Current Rating

Horn Mode	Minimum dBA @10ft per UL464 (High)	Minimum dBA @10ft per UL464 (Low)	Regulated 24VDC Max. Operating @ High Setting (mA)
Temp 3 2400Hz	78	71*	28
Temp 3 Mechanical	76	70*	25
Temp 3 Chime	70*	66*	15
Continuous 2400 Hz	81	74*	28
Continuous Mechanical	80	72*	25
Continous Chime	70*	66*	15
Whoop	82	69*	56

* Operating the horn in this mode will result in not meeting the minimum UL reverberant sound level required for public fire protection service. These settings are acceptable only for private mode fire alarm use. Chime tone is always private mode.



24 Volt Product Strobe Current Rating

Candela	15cd	30cd	60cd	75cd	110cd
24 VDC	55mA	63mA	88mA	112mA	136mA
UL Max	78mA	96mA	137mA	180mA	224m

Specifications are subject to change without notice. Specifications are provided for information only and no responsibility is assumed by Evax Systems, LLC for their use.