

700MDVPIR

700TVL Outdoor IR Dome 1/3" SONY EXview, 960H



PRODUCT SPECIFICATIONS

PRODUCT FEATURES

- 1/3" SONY EXview, 960H
- 700 TVL of Resolution
- 0 Lux (IR ON). High low light sensitivity
- 24 IR LED Up to 65ft (20mts) IR distance
- 3.6 mm fix lens
- 12 VDC, low power consumption
- Multi Language OSD functions
- Improved Dynamic Range (ATR)
- Noise reduction (NR)
- Highlights compensation (HLC), Privacy Masks
- Vandal resistant design, IP66 Rated



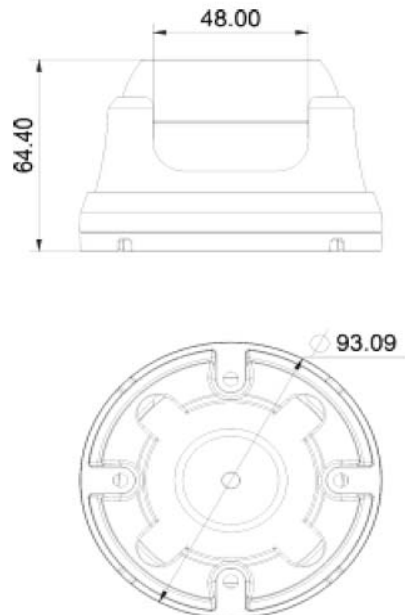
PRODUCT CAPABILITIES

The 700MDVPIR, is a high-technology member of the 700 Series, a professional armored security dome with Auto-light infrared illumination for full range of operation, from well lit targets to night vision.

Powered by the absolute newest DSP and CCD chipset, the XTS camera 700MDVPIR achieves unprecedented high sensitivity and high resolution operation, considered critical in security cameras market, using nearly half the power consumption of similar cameras. An improved signal processing provides higher accuracy color reproduction while the ATR function (Adaptive Tone-curve Reproduction) performs a contrast correction in scenes with coexisting dark and bright areas.

The high sensibility combined with a powerful multilevel gain amplification control and 24 IR LEDs controlled by a CDS light sensor, make of this camera a great selection for low heat dissipation and low power consumption applications such as solar powered systems; As result, this camera can offer excellent results in poorly illuminated areas with an astonishing maximum current consumption of only 390mA when LEDs are operating.

The 700MDVPIR is easy to install in walls, ceilings or irregular slated surfaces. It can be aimed in any direction thanks to its eyeball style design that supports movement freedom in 3 axes.



TECHNICAL SPECIFICATIONS

CAMERA

Model	700MDVPIR	
Signal System	NTSC	PAL
Image Sensor	1/3' Sony ExView HAD CCD II, 960H	
Total Pixels	1020 (H)X508(V)	1020 (H)Xh596(V)
Effective Pixels	976 (H) X494(V)	976 (H) X582(V)
Resolution	700 TV Lines	
SNR	> 48 dB (AGC Off)	
Min. Illumination	0 Lux/F1.2 LED ON	
Video Output	1.0Vp-p/75Ω	
Lens	3.6 mm (92° angle)	
White Balance	ATW/PUSH/ANTI-CR/USER	
Day & Night	AUTO/COLOR/BW	
Backlight	Backlight Compensation / OFF / Highlight Compensation	
D-WDR	ATR ON/OFF	
DNR	2D Y / C / Y+C	
Image adjustment	Brightness/contrast/sharpness/gain/mirror	
Motion Detection	ON/OFF (SELECT)	
Privacy Masks	ON/OFF(4 AREA)	
Language	English, German, French, Portuguese, Russian, Japanese, Chinese	
AGC	x0.25/x0.50/x0.75/x1.00	
Electronic Shutter	1/60 - 1/10000	1/50 - 1/10000
Camera ID	25 characters	
IR Distance	20 m (65 ft)	
IR LENS	24 pcs	
Ingress Protection	IP66	
Input Voltage	12 VDC	
Power Consumption	<4W / 390mA max (LEDs ON)	
Operation Temperature	-10°C (14°F)~ +50°C (122°F)	
Storage Temperature	-20°C (-4°F) ~ +60 °C (140°F)	
Dimension	93.09 X 64.4 (H) mm	
Weight	350g	

*Spec subject to change without notice



XTS Corp. Headquarters
 8880 N.W 18th Terrace,
 Doral, FL 33172
 P: 305.863.7779
 F: 305.863.7478
 TF: 1.855.797.8XTS
www.xtscorp.com