

FEATURES:

- Fast Response to contact closure
- Addressed by 8 position dip switch
- Non polarity Sensitive
- Monitor any normally open contacts
- Supervises DC power in
- Mounts to standard 4" square electrical boxes(MM)
- Mounts in standard electrical boxes(MMM)
- Compatible with Evax Addressable Fire Panels

DESCRIPTION

The EFX-MM and EFX-MMM monitor modules are designed monitor any Fire Alarm device that is capable of providing a normally open contact that closes on activation. The monitor module is designed to mount on a 4" square electrical Box. The Mini Module can be located inside an electrical box.

ADDRESSING

The Addressing of the detectors is accomplished by the setting of the binary dip switches located on the underside of the module. Numbered switches associate with the binary address of 1, 2, 4, 8, 16, 32, and 64 totals the address required. The first seven segments of the switch must be set to "0" or "1". The eighth dip switch selects Class "A" or Class "B" input monitoring of the normally open device. All other programming is performed at The Fire Alarm Control Panel or through the Evax Software program.

INSTALLATION

It is important that the switch Monitor Modules be fully tested after installation. The device being monitored can be wired for fault, Pre-Alarm, and full Alarm with the use of specific end of line resistor values.

MECHANICAL CONSTRUCTION

EFX-MM mounting to center fit on a 4" box, NEMA OS-1-1989 or equivalent. Material white polycarbonate V-O rated to UL 94 (cover plate).

EFX-MM, -MMM
Addressable Monitor
Module



Evax Fire Addressable Monitor Module



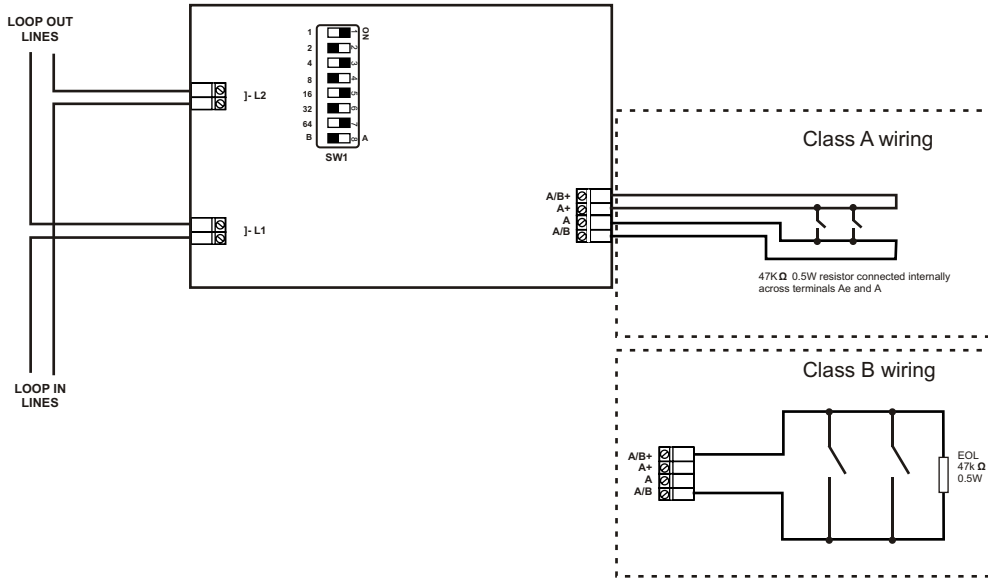
EFX-MMM Mini Monitor Module



ELECTRICAL SPECIFICATION:

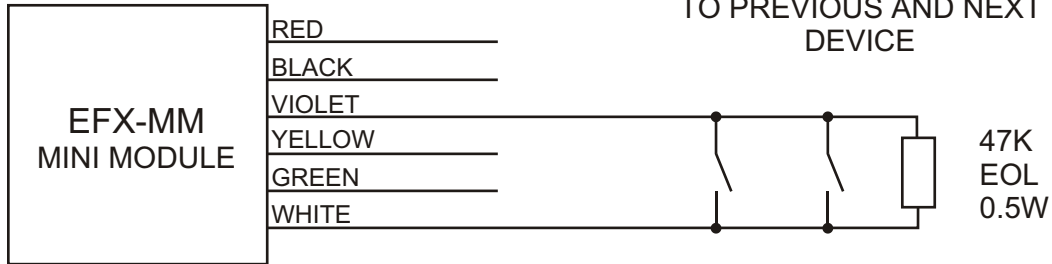
Switch on surge	
Maximum 65 ms	2.5 mA (MMM)
Quiescent 29K ohm EOL	1.2 mA (MMM)
Switch input closed (alarm LED on)	3.4 mA
Switch input Short circuit	3.5 mA
Supply Voltage	16-28 VDC
Styles	4, 6, or 7
Alarm indicator	Red LED through cover
Termination (MM)	Screw Terminals
Termination (MMM)	18 AWG Wire leads
End of Line Resistor	47K
Operating Temperature	0°F to +155° F
Humidity	0% to 95% relative humidity
Size (MM)	4" x 4" x 1.3"
Size (MMM)	3" x 2" x 3/4"
Weight (MM)	3 oz (MM)
	1.5 oz (mmm)

MONITOR MODULE



EFX-MM Monitor Module Shown Class "A" and Class "B"

STYLE B (CLASS B) WIRING



How to Order:

EFD-MM	55000-806 Monitor Module
EFD-MMM	55000-550 Mini Monitor Module
EFX-IOM	55000-820 Input Output Module w/ Form "C" relay
EFX-SCM	55000-825 Supervised Sounder Control Module

Engineering Specification

The contractor shall furnish and install where indicated on the plans Monitor Modules interfacing to all Normally Open contact devices to the Fire Alarm Control Panel. The interface devices shall communicate to the main Fire Alarm Control Panel via the Addressable Signaling Line Circuit. This communication format shall be Digital format analog communications will not be accepted. The addressing shall be accomplished by the use dip switches mechanically programmed, electronic addressing shall not be permitted or accepted. The Monitor Modules Shall be the Evax Fire EFX-MM or EFX-MMM modules.

Specifications are subject to change without notice. Specifications are provided for information only and no responsibility is assumed by Evax Systems, LLC for their use.